

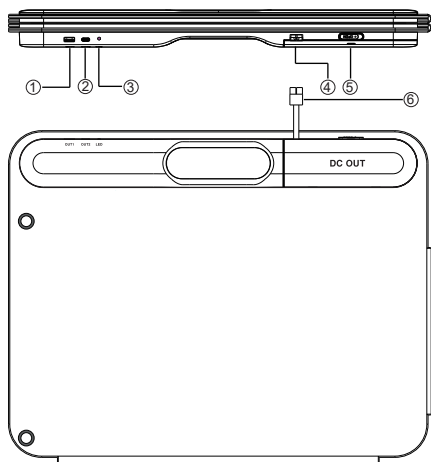
tradetested

SOLAR PANEL FOLDING 60W

Product code: 960889

User manual

Technical Parameters



- 1 USB A Output
- 2 USB C Output
- 3 LED Light Indicator
- 4 Cable Slot
- 5 Open Button
- 6 DC Output

Model	960889
Peak Power	50W
Cell Efficiency	19%~21%
Power Voltage	16.2V
Power Current	3.15A
Open Circuit Voltage	19V
Short Circuit Current	3.4A
Operating Temperature Range	-10~40 °C
Dimensions	565*395*10mm
USB A Output	5V /2.4A
USB C Output	5V/ 3A

Safety Tips

- * Before using the product, please read all safety precautions
- * The product is functioning abnormally or is damaged, do not use it.
- * Avoid contact with water. Sharp objects coming into contact with the module.
- * Only connect the panel to a high quality battery connector to avoid risk of short circuit.
- * Do not disassemble or attempt to repair the module.
- * Do not touch any exposed electrical wires on the battery side.

Frequently Asked Questions

Q: What kind of battery can be charged by these solar modules?

1. Solar Panel Folding 60W
2. Sealed lead-acid battery
3. Colloidal lead-acid batteries
4. The open lead-acid batteries

Q: How to clean the solar surface?

Dust and dirt on the surface should first be removed using a soft brush. Use a damp cloth to wipe the surface of the solar module to remove any remaining dust or dirt. Any guano or other adhesive should be removed as soon as possible from the solar surface to avoid a reduction in performance.

Q: Are the foldable solar modules waterproof?

To Maximize the lifespan of the module, it should not get wet.